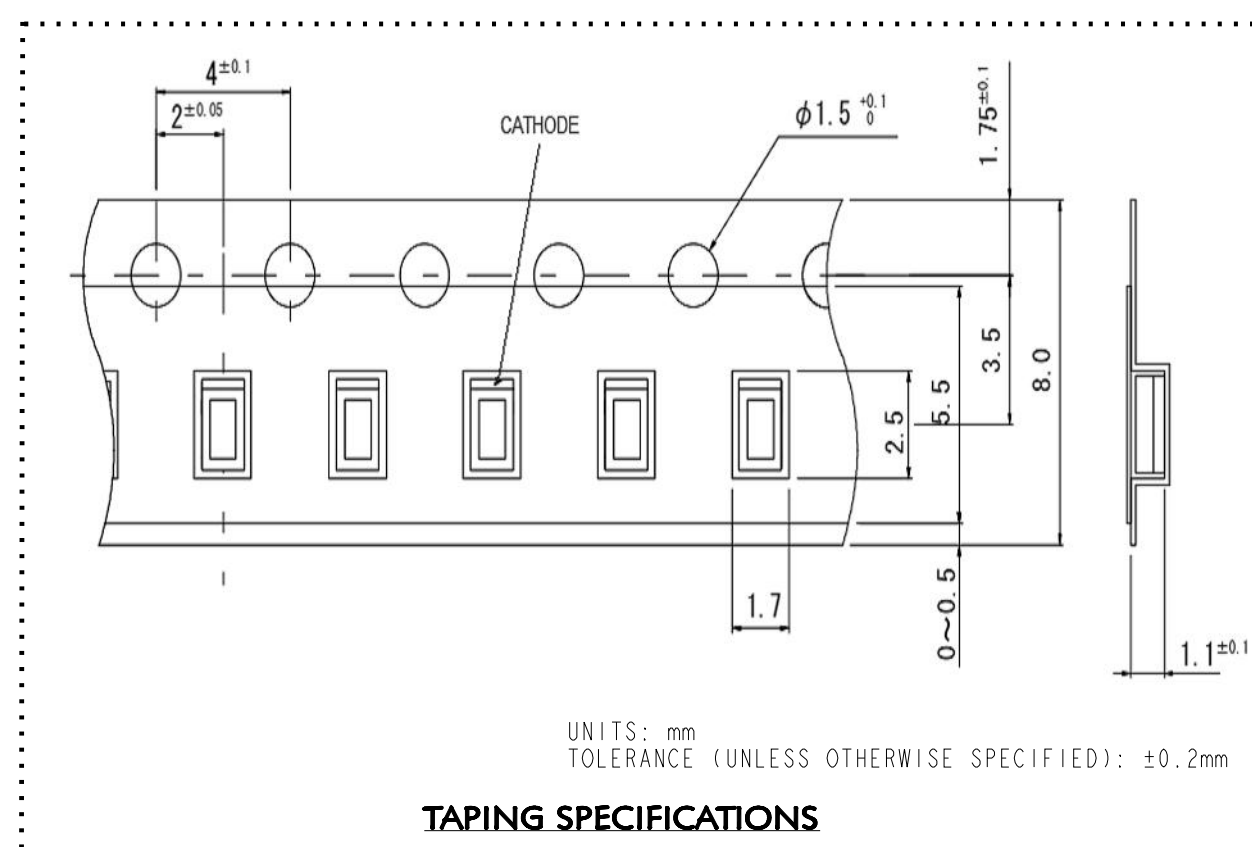
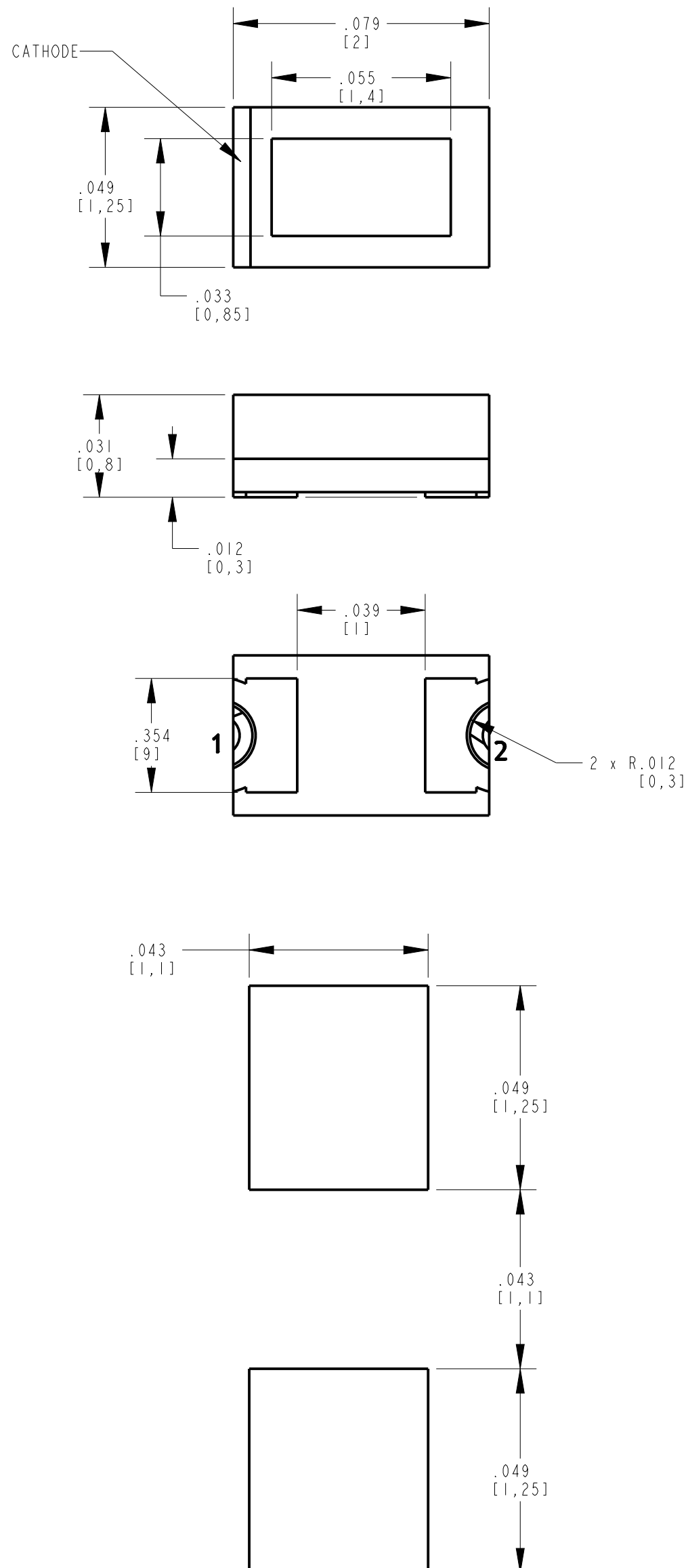


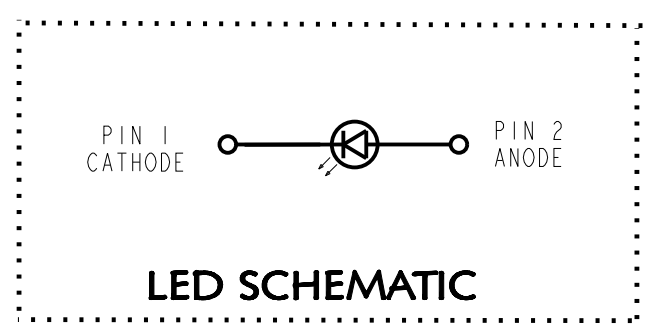
PART NUMBER	LED COLOR
597-5006-502F, 507F	RED (630nm)
597-5036-502F, 507F	RED (620nm)
597-5206-502F, 507F	ORANGE
597-5406-502F, 507F	YELLOW
597-5506-502F, 507F	YELLOW GREEN
597-5316-502F, 507F	GREEN (560nm)
597-5606-502F, 507F	BLUE
597-5326-502F, 507F	GREEN (527nm)
597-5906-502F, 507F	WHITE

REV	ECN NO	REVISIONS	DRN	CKD	APP	DATE
A	—	NEW RELEASE	BP	—	NO	03-22-18

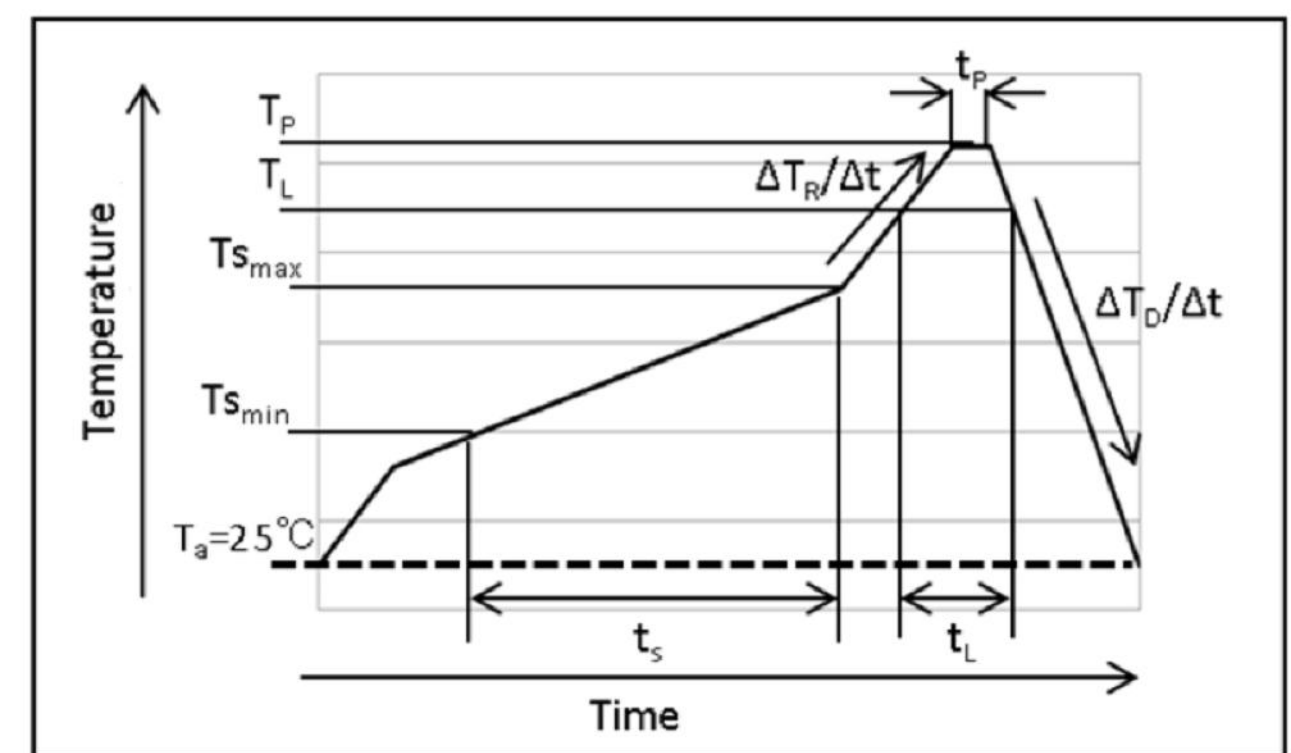


ABSOLUTE MAXIMUM RATINGS AT 25°C						
LED COLOR	POWER DISSIPATION (mW)	FORWARD CURRENT (mA)	PEAK FORWARD CURRENT (mA)	REVERSE VOLTAGE (V)	OPERATING TEMPERATURE (°C)	STORAGE TEMPERATURE (°C)
RED (630nm)	75	30	100	5	-40 TO +85	-40 TO +100
RED (620nm)						
ORANGE						
YELLOW						
YLW GREEN	81	20	12	-40 TO +100	-40 TO +100	
GREEN (560nm)						
GREEN (527nm)	70					
BLUE	68					
WHITE						

OPERATING CHARACTERISTICS AT 25°C								
LED COLOR	IF (mA)	LUMINOUS INTENSITY (mcd)		DOMINANT WAVELENGTH (nm)			REVERSE CURRENT (MAX)	FORWARD VOLTAGE (TYP.)
		MIN	TYP	MIN	TYP	MAX		
RED (630nm)	20	40	75	625	630	635	10 @ VR=5V	2 @ IF=20mA
RED (620nm)		63	120	615	620	625		
ORANGE		100	160	602	605	608		
YELLOW		587	590	593				
YLW GREEN	25	45	569	572	575			2.2 @ IF=20mA
GREEN (560nm)	6.3	16	557	560	563			3 @ IF=5mA
GREEN (527nm)	56	140	519	527	536			
BLUE	5	14	36	464	470	476	10 @ VR=12V	2.9 @ IF=5mA
WHITE		56	140	(X,Y) (0.30,0.28)				



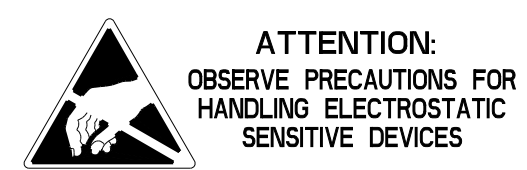
- NOTES:**
- DIALIGHT P/N: 597-5XX6-502F, 597-5XX6-507F  
SUFFIX -502F FOR 20 PCS ON A SAMPLE TAPE STRIP  
SUFFIX -507F FOR 7" DIAMETER REEL, PACKAGED 3000 PCS PER REEL.
  - LABELING FOR REEL AND OUTSIDE OF ALUMINUM BAG:  
DIALIGHT P/N, QUANTITY PER REEL, DATE CODE, INTENSITY BIN CODE, LOT NUMBER AND COUNTRY OF ORIGIN
  - TAPE AND REEL LEDS MAY REQUIRE RE-TAPING AFTER TWELVE MONTHS.
  - PIN NUMBERS ARE FOR REFERENCE ONLY, DESIGNATION NON-EXISTENT ON PART.
  - THIS PRODUCT IS RoHS COMPLIANT. EACH BAG IS TO BE MARKED WITH RoHS COMPLIANT LABEL OR EQUIVALENT MARKINGS. LED MUST BE Pb FREE.
  - ESD WITHSTAND VOLTAGE 4000V MAX PER JS-001-2014.
  - MSL LEVEL 4



MARK	MEANING	CONDITIONS
$T_{S_{max}}$	MAXIMUM OF PRE-HEATING TEMP.	180 °C
$T_{S_{min}}$	MINIMUM OF PRE-HEATING TEMP.	140 °C
$t_s$	TIME FROM $T_{S_{min}}$ TO $T_{S_{max}}$	OVER 60 sec.
$T_L$	REFERENCE TEMP	230-250 °C
$t_L$	RETENTION TIME FOR $T_L$	WITHIN 40 sec.
$T_P$	PEAK TEMP	250 °C (MAX)
$t_P$	TIME FOR PEAK TEMP	WITHIN 10 sec.
$\Delta T_R/\Delta t$	TEMP. RISING RATE	UNDER 3°C/sec.
$\Delta T_D/\Delta t$	TEMP. DECREASING RATE	OVER -3°C/sec.

**RECOMMENDED RoHS SOLDER PROFILE**

**RECOMMENDED SOLDER PAD LAYOUT**



THIS DRAWING AND THE CONTENTS HEREIN ARE CONFIDENTIAL AND THE SOLE PROPERTY OF DIALIGHT CORP. REPRODUCTION OF THIS DRAWING OR CONSTRUCTION OF ANY PARTS WITHIN THIS DRAWING ARE FORBIDDEN WITHOUT THE WRITTEN CONSENT OF DIALIGHT CORP.

DIALIGHT CORP. INTERNAL REFERENCE ONLY = 3D MODEL : 5975006507F-A.1

SCALE: 25.000	DRAWING NUMBER	REV
ALL DIM'S IN: INCHES (MM)	<b>C-18370</b>	<b>A</b>
TOLERANCES: UNLESS OTHERWISE SPECIFIED	TITLE	SM LED 0805 PACKAGE
FRACTIONS: ±1/64	MATERIAL	
DECIMALS (.XX): ±.01	<b>Dialight</b>	
DECIMALS (.XXX): ±.005	1501 ROUTE 34 SOUTH FARMINGDALE, NJ 07727 (732) 919-3119 www.dialight.com	
DECIMALS (.XXXX): ±.0005	FSCM 83330	
ANGLES: ±1°	SHEET 1 OF 1 FAMILY TABLE:	

# Mouser Electronics

Authorized Distributor

Click to View Pricing, Inventory, Delivery & Lifecycle Information:

Dialight:

[5975206507F](#) [5975326507F](#) [5975906507F](#) [5975036507F](#) [5975506507F](#) [5975316507F](#) [5975606507F](#)  
[5975006507F](#) [5975406507F](#)